



120W (1/6 HP)

TERMINAL BOX TYPE INDUCTION MOTORS Frame size 90mm sq. (3.54 in. sq.)

Single-Phase, Three-Phase

BOX TYPE

SPECIFICATIONS

CONTINUOUS DUTY, INSULATION CLASS A or E, 4POLES

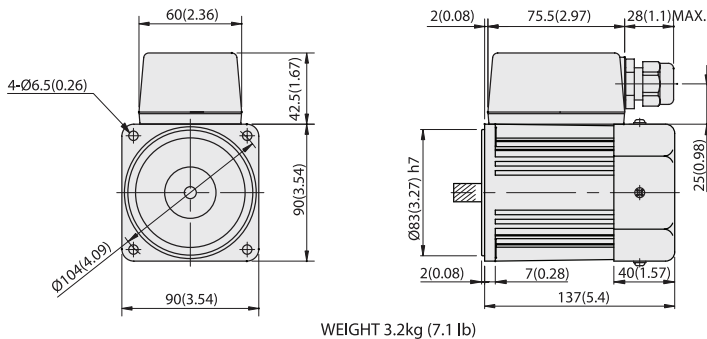
| Model | Output | | Voltage (V) | Frequency (Hz) | Rated | | | | | | Starting Torque | | | Capacitor (μ F) |
|--------------|--------|-----|-----------------------|-------------------|--------------|----------------|---------|-------|---------|----------------|-----------------|-------|---------|-------------------------|
| | (HP) | (W) | | | Input (W) | Current (A) | Torque | | | Speed (rpm) | (kg-cm) | (N-m) | (oz-in) | |
| | | | | | | | (kg-cm) | (N-m) | (oz-in) | | | | | |
| L9I120□C HTB | 1/6 | 120 | 1 \emptyset 100 | 50 | 240 | 2.30 | 9.4 | 0.921 | 130.54 | 1250 | 6.1 | 0.598 | 84.71 | 30 |
| | | | | 60 | 240 | 2.30 | 7.6 | 0.745 | 105.54 | 1550 | 6.1 | 0.598 | 84.71 | |
| L9I120□D HTB | 1/6 | 120 | 1 \emptyset 200 | 50 | 240 | 0.95 | 9.4 | 0.921 | 130.54 | 1250 | 6.1 | 0.598 | 84.71 | 8 |
| | | | | 60 | 240 | 1.10 | 7.6 | 0.745 | 105.54 | 1550 | 6.1 | 0.598 | 84.71 | |
| L9I120□B HTB | 1/6 | 120 | 1 \emptyset 220 | 60 | 250 | 1.2 | 7.4 | 0.725 | 102.76 | 1600 | 6.8 | 0.666 | 94.43 | 7 |
| L9I120□E HTB | 1/6 | 120 | 1 \emptyset 115 | 60 | 250 | 2.3 | 7.4 | 0.725 | 102.76 | 1600 | 5.9 | 0.578 | 91.93 | |
| L9I120□X HTB | 1/6 | 120 | 1 \emptyset 220~240 | 50 | 250 | 1.0 | 9.4 | 0.921 | 130.54 | 1250 | 6.8 | 0.666 | 94.43 | 7 |
| | | | | 60 | 200 | 0.71 | 8.7 | 0.853 | 120.82 | 1350 | 22 | 2.156 | 305.51 | |
| L9I120□U HTB | 1/6 | 120 | 3 \emptyset 200 | 50 | 200 | 0.67 | 7.6 | 0.745 | 105.54 | 1550 | 17 | 1.666 | 236.08 | - |
| | | | | 60 | 240 | 0.82 | 7.4 | 0.725 | 102.76 | 1600 | 21 | 2.058 | 291.63 | |
| L9I120□T HTB | 1/6 | 120 | 3 \emptyset 200~230 | 50 | 240 | 0.88 | 8.7 | 0.853 | 120.82 | 1350 | 27 | 2.646 | 374.95 | - |
| | | | | 60 | 240 | 0.82 | 7.4 | 0.725 | 102.76 | 1600 | 21 | 2.058 | 291.63 | |
| L9I120□S HTB | 1/6 | 120 | 3 \emptyset 380~415 | 50 | 240 | 0.51 | 8.7 | 0.853 | 120.82 | 1350 | 27 | 2.646 | 374.95 | - |
| | | | | 60 | 240 | 0.48 | 7.4 | 0.725 | 102.76 | 1600 | 21 | 2.058 | 291.63 | |
| L9I120□R HTB | 1/6 | 120 | 3 \emptyset 440 | 50 | 240 | 0.45 | 8.7 | 0.853 | 120.82 | 1350 | 27 | 2.646 | 374.95 | - |
| | | | | 60 | 240 | 0.41 | 7.4 | 0.725 | 102.76 | 1600 | 21 | 2.058 | 291.63 | |

- * Model in grey screen represents the motors with THERMALLY PROTECTED according to UL regulation.
- * Model in dark grey screen represents the motors with THERMALLY PROTECTED according to CE regulation.
- * In case of some models certificated for export, the special cord like CE or UL is added after the existing model no. ex) L9I60 □XH-CE, L9I60 □EH-UL.
- * Insulation class for motors which acquired certificates for export is B.

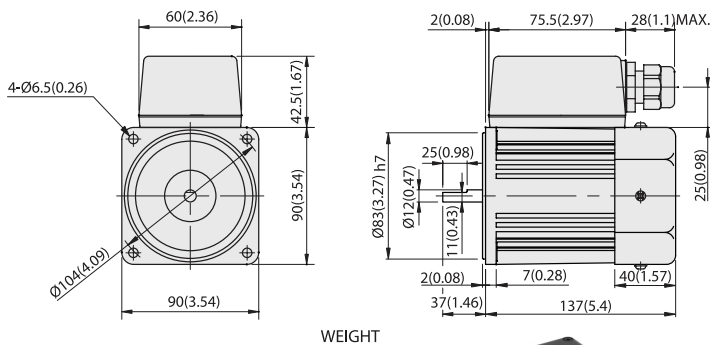
DIMENSIONS

L9I120P□ HTB

Unit : mm(inch)

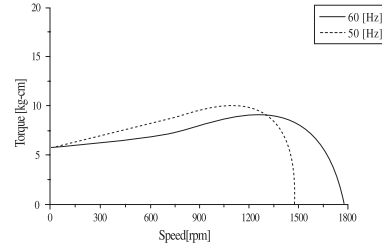


L9I120D□ LTB

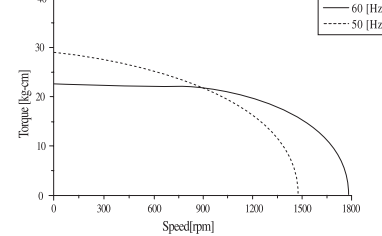


SPEED-TORQUE CURVE

Single phase L9I120□□ HTB

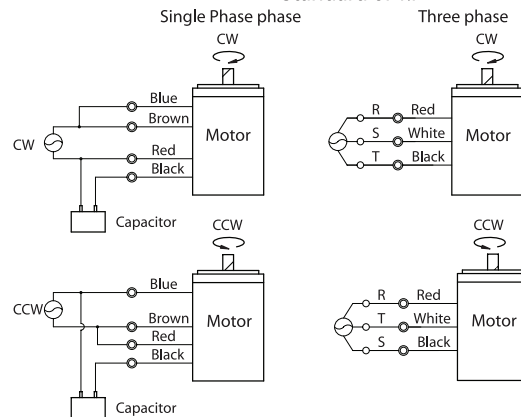


Three phase L9I120□□ HTB



CONNECTION DIAGRAMS (3-lead wire type)

Standard or T.P.



The direction of rotation is seen from the end of motor shaft.

TERMINAL BOX TYPE INDUCTION MOTORS